



*Hoffman*

# GL66 SERIES MILD STEEL HINGED COVER WALL-MOUNT ENCLOSURES

DESIGN WITH CONFIDENCE

EQUIPMENT PROTECTION

MILD STEEL WALL-MOUNT ENCLOSURES

*Hoffman*

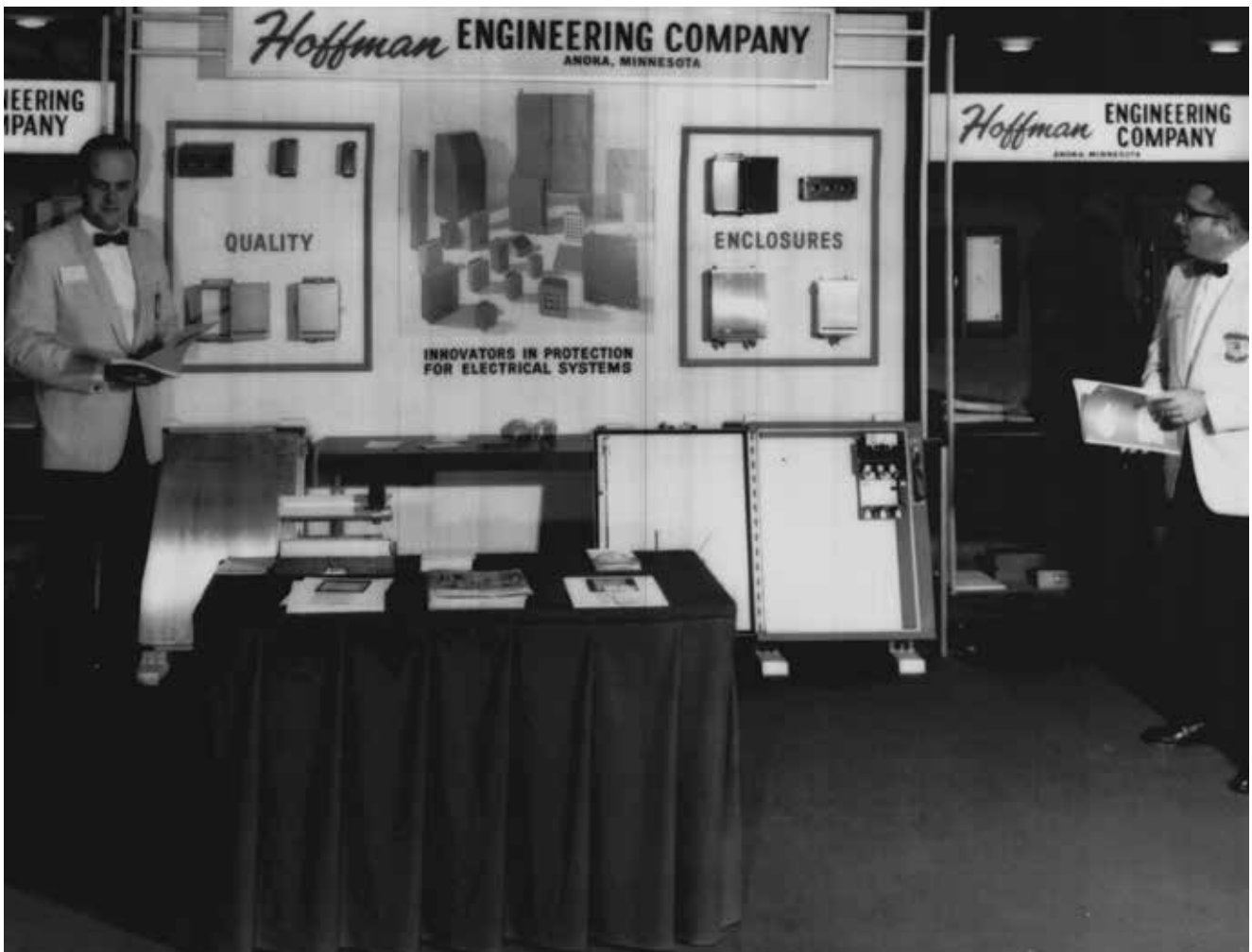
CELEBRATING

**70  
YEARS**OF PROVIDING  
SUPERIOR  
EQUIPMENT  
PROTECTION  
SOLUTIONS

## ENCLOSURES BUILT ON 70 YEARS OF EXPERIENCE

Founded in 1945, Hoffman was a pioneer in the enclosure industry. Seventy years later the name Hoffman is synonymous for the technology to protect electronics and electrical systems.

Hoffman's global manufacturing and logistics capabilities offer customers the same enclosure products and solutions virtually anywhere in the world. That means customers can get the same products and quality certified to the same standards all over the world.



Hoffman mild steel wall-mount enclosures from Pentair are designed to house and protect electrical and electronic components in industrial environments.

An ergonomic and aesthetic styling together with a gray finish make this solution an excellent choice when style and functionality are important.

All types of wall-mount enclosures have an outward formed flange to prevent contaminants from entering the enclosure.

A wide range of standard catalogue items makes this solution available fast.

## GENERAL SPECIFICATIONS

- Hinged cover mild steel solution
- Seamless foam-in-place gasket
- Finish RAL 7035 textured light-gray polyester powder paint
- Quarter-turn latch with 3 mm double-bit insert
- Grounding studs system
- Solution with and without gland plate
- Conductive panel available optionally integrated or as an accessory
- Weatherproof paint available on request
- Installation instruction

**With our “Design Your Standard” program, you can choose a large range of standard items and add modifications to get your own solution perfectly suited to your application. All this without standard delivery time extension!**



# SOLUTIONS FOR TERMINAL INSTALLATIONS: SMALL SIZES, ONE LOCK SYSTEM



## INDUSTRY STANDARDS

---

Solid hinged cover models.  
Mounting brackets required to meet  
UL/CSA external mounting requirements.

UL 508A listed; Type 3, 4, 12; File No. E61997  
cUL Listed per CSA C22. 2 No. 94; Type 3, 4, 12; File No. E61997

NEMA/EEMAC Type 4 and 12  
CSA, File No. 42186: Type 4, 12  
IEC/EN62262 IK9  
IEC 60529, IP66  
IEC 62208

## SPECIFICATIONS

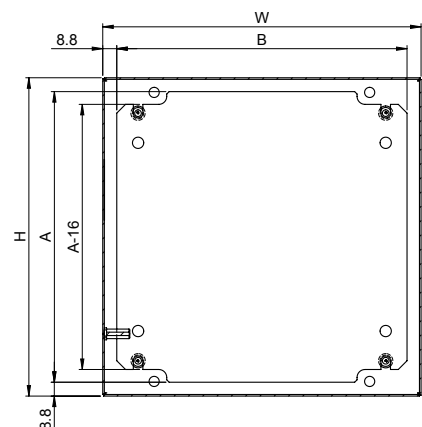
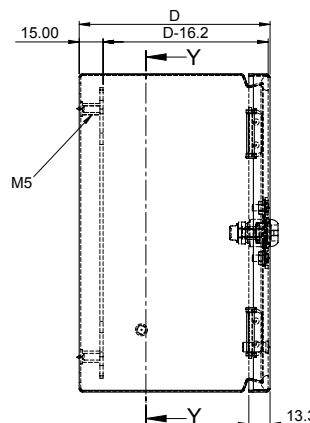
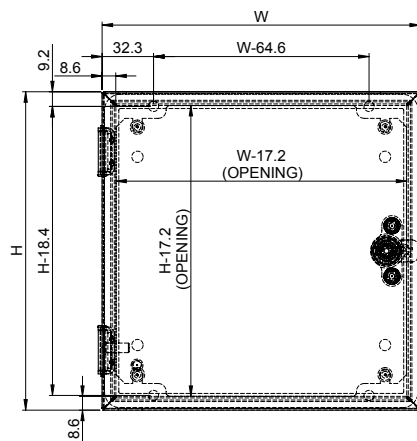
---

- Hinged cover type is designed for terminals installation
- Mild steel solution with doors thickness 1,2 mm and body thickness 1 or 1,2 mm
- Seamless, foam-in-place gasket
- Quarter-turn latch with 3 mm double-bit insert
- Finish RAL 7035 textured light-gray polyester powder paint
- Grounding studs system
- Solution without gland plate

## STANDARD ITEMS

Conductive mounting panel Solution with mounting panel integrated

Item number	Description	H [mm]	W [mm]	D [mm]	Door thickness [mm]	Body thickness [mm]	Item number	Item number
MHC15015080E	GL66 mild steel, hinged cover	150	150	80	1.2	1	MSC150P150GE	MHC15015080PE
MHC150150120E	GL66 mild steel, hinged cover	150	150	120	1.2	1	MSC150P150GE	MHC150150120PE
MHC200150120E	GL66 mild steel, hinged cover	200	150	120	1.2	1	MSC200P150GE	MHC200150120PE
MHC20020080E	GL66 mild steel, hinged cover	200	200	80	1.2	1	MSC200P200GE	MHC20020080PE
MHC200200120E	GL66 mild steel, hinged cover	200	200	120	1.2	1	MSC200P200GE	MHC200200120PE
MHC250200150E	GL66 mild steel, hinged cover	250	200	150	1.2	1	MSC250P200GE	MHC250200150PE
MHC30015080E	GL66 mild steel, hinged cover	300	150	80	1.2	1	MSC300P150GE	MHC30015080PE
MHC300150120E	GL66 mild steel, hinged cover	300	150	120	1.2	1	MSC300P150GE	MHC300150120PE
MHC30020080E	GL66 mild steel, hinged cover	300	200	80	1.2	1	MSC300P200GE	MHC30020080PE
MHC300200120E	GL66 mild steel, hinged cover	300	200	120	1.2	1.2	MSC300P200GE	MHC300200120PE
MHC300250150E	GL66 mild steel, hinged cover	300	250	150	1.2	1.2	MSC300P250GE	MHC300250150PE
MHC300250200E	GL66 mild steel, hinged cover	300	250	200	1.2	1.2	MSC300P250GE	MHC300250200PE
MHC300300120E	GL66 mild steel, hinged cover	300	300	120	1.2	1.2	MSC300P300GE	MHC300300120PE
MHC300300150E	GL66 mild steel, hinged cover	300	300	150	1.2	1.2	MSC300P300GE	MHC300300150PE
MHC300300210E	GL66 mild steel, hinged cover	300	300	210	1.2	1.2	MSC300P300GE	MHC300300210PE
MHC300400210E	GL66 mild steel, hinged cover	300	400	210	1.2	1.2	MSC300P400GE	MHC300400210PE
MHC350300200E	GL66 mild steel, hinged cover	350	300	200	1.2	1.2	MSC350P300GE	MHC350300200PE
MHC40020080E	GL66 mild steel, hinged cover	400	200	80	1.2	1.2	MSC400P200GE	MHC40020080PE
MHC400200120E	GL66 mild steel, hinged cover	400	200	120	1.2	1.2	MSC400P200GE	MHC400200120PE
MHC400300120E	GL66 mild steel, hinged cover	400	300	120	1.2	1.2	MSC400P300GE	MHC400300120PE
MHC400300150E	GL66 mild steel, hinged cover	400	300	150	1.2	1.2	MSC400P300GE	MHC400300150PE
MHC500200120E	GL66 mild steel, hinged cover	500	200	120	1.2	1.2	MSC500P200GE	MHC500200120PE



## MOUNTING PLATES SUITABLE FOR SMALL SIZES, ONE LOCK SYSTEM

Item Number	Description	Thickness [mm]	A [mm]	B [mm]
MSC150P150GE	MPL for GL66 size 150x150mm	2	132.5	132.5
MSC200P150GE	MPL for GL66 size 200x150mm	2	182.5	132.5
MSC200P200GE	MPL for GL66 size 200x200mm	2	182.5	182.5
MSC250P200GE	MPL for GL66 size 250x200mm	2	232.5	182.5
MSC300P150GE	MPL for GL66 size 300x150mm	2	282.5	132.5
MSC300P200GE	MPL for GL66 size 300x200mm	2	282.5	182.5
MSC300P250GE	MPL for GL66 size 300x250mm	2	282.5	232.5
MSC300P300GE	MPL for GL66 size 300x300mm	2	282.5	282.5
MSC350P300GE	MPL for GL66 size 350x300mm	2	332.5	282.5
MSC400P200GE	MPL for GL66 size 400x200mm	2	382.5	182.5
MSC400P300GE	MPL for GL66 size 400x300mm	2	382.5	282.5
MSC500P200GE	MPL for GL66 size 500x200mm	2	482.5	182.5

# SOLUTIONS FOR AUTOMATION & CONTROL DEVICES: ONE DOOR SOLUTION



## INDUSTRY STANDARDS

Solid hinged cover models.  
Mounting brackets required to meet  
UL/CSA external mounting requirements.

UL 508A listed; Type 4, 12; File No. E61997  
cUL Listed per CSA C22. 2 No. 94; Type 4, 12; File No. E61997

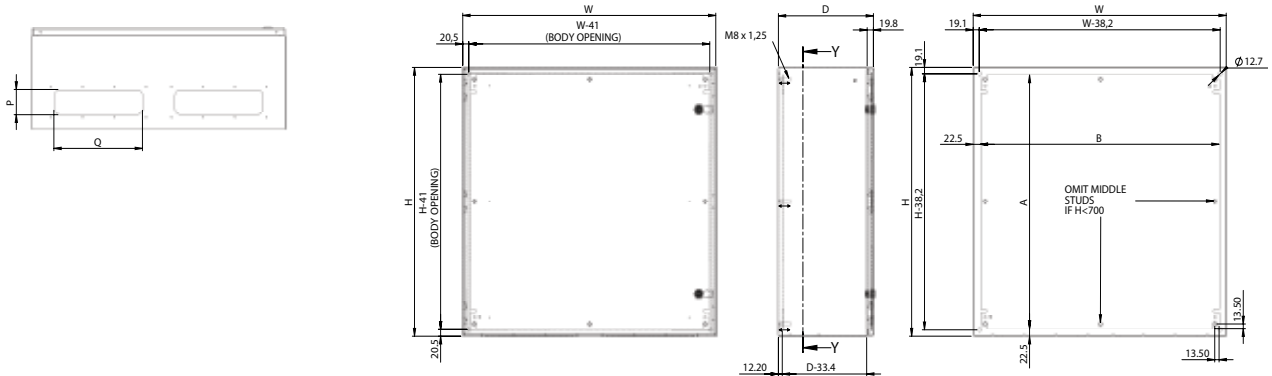
NEMA/EEMAC Type 4, 12, 13  
CSA, File No. 42186: Type 4, 12  
IEC/EN62262 IK9  
IEC 60529, IP66  
IEC 62208

## SPECIFICATIONS

- Hinged cover type is designed for automation and control devices
- Mild steel solution with doors thickness 1,2 to 1,8 mm and body thickness 1,2 or 1,5 mm
- Seamless foam-in-place gasket
- Quarter-turn latch with 3 mm double-bit insert
- Finish RAL 7035 textured light-gray polyester powder paint
- Grounding studs system
- Standard solution with gland plate

## STANDARD ITEMS

Item number	Description	H [mm]	W [mm]	D [mm]	Door thickness [mm]	Body thickness [mm]	Gland plates			Conductive mounting panel	Solution with mounting panel integrated
							Type	P	Q	Item number	Item number
M300300210GE	GL66 mild steel, hinged cover	300	300	210	1.2	1.2	A	100	180	M300P300GE	M300300210GPE
M300400210GE	GL66 mild steel, hinged cover	300	400	210	1.2	1.2	B	100	280	M300P400GE	M300400210GPE
M400400210GE	GL66 mild steel, hinged cover	400	400	210	1.2	1.2	B	100	280	M400P400GE	M400400210GPE
M400600210GE	GL66 mild steel, hinged cover	400	600	210	1.2	1.2	C	100	380	M400P600GE	M400600210GPE
M400600350GE	GL66 mild steel, hinged cover	400	600	350	1.2	1.2	C	100	380	M400P600GE	M400600350GPE
M400300210GE	GL66 mild steel, hinged cover	400	300	210	1.2	1.2	A	100	180	M400P300GE	M400300210GPE
M500400210GE	GL66 mild steel, hinged cover	500	400	210	1.2	1.2	B	100	280	M500P400GE	M500400210GPE
M500500210GE	GL66 mild steel, hinged cover	500	500	210	1.2	1.2	C	100	380	M500P500GE	M500500210GPE
M500500300GE	GL66 mild steel, hinged cover	500	500	300	1.2	1.2	C	100	380	M500P500GE	M500500300GPE
M600400210GE	GL66 mild steel, hinged cover	600	400	210	1.2	1.2	B	100	280	M600P400GE	M600400210GPE
M600400350GE	GL66 mild steel, hinged cover	600	400	350	1.2	1.2	B	100	280	M600P400GE	M600400350GPE
M600600210GE	GL66 mild steel, hinged cover	600	600	210	1.5	1.5	C	100	380	M600P600GE	M600600210GPE
M600600250GE	GL66 mild steel, hinged cover	600	600	250	1.5	1.5	C	100	380	M600P600GE	M600600250GPE
M600600350GE	GL66 mild steel, hinged cover	600	600	350	1.5	1.5	C	100	380	M600P600GE	M600600350GPE
M600800300GE	GL66 mild steel, hinged cover	600	800	300	2.0	1.5	2xB	100	280	M600P800GE	M600800300GPE
M700500250GE	GL66 mild steel, hinged cover	700	500	250	1.5	1.5	C	100	380	M700P500GE	M700500250GPE
M800600210GE	GL66 mild steel, hinged cover	800	600	210	2.0	1.5	C	100	380	M800P600GE	M800600210GPE
M800600350GE	GL66 mild steel, hinged cover	800	600	350	2.0	1.5	C	100	380	M800P600GE	M800600350GPE
M800800210GE	GL66 mild steel, hinged cover	800	800	210	2.0	1.5	2xB	100	280	M800P800GE	M800800210GPE
M800800300GE	GL66 mild steel, hinged cover	800	800	300	2.0	1.5	2xB	100	280	M800P800GE	M800800300GPE
M800400300GE	GL66 mild steel, hinged cover	800	400	300	1.5	1.5	B	100	280	M800P400GE	M800400300GPE
M800600250GE	GL66 mild steel, hinged cover	800	600	250	2.0	1.5	C	100	380	M800P600GE	M800600250GPE
M800600400GE	GL66 mild steel, hinged cover	800	600	400	2.0	1.5	C	100	380	M800P600GE	M800600400GPE
M800800225GE	GL66 mild steel, hinged cover	800	800	225	2.0	1.5	2xB	100	280	M800P800GE	M800800225GPE
M1000600250GE	GL66 mild steel, hinged cover	1000	600	250	2.0	1.5	C	100	380	M1000P600GE	M1000600250GPE
M1000600400GE	GL66 mild steel, hinged cover	1000	600	400	2.0	1.5	C	100	380	M1000P600GE	M1000600400GPE
M1000800300GE	GL66 mild steel, hinged cover	1000	800	300	2.0	1.5	2xB	100	280	M1000P800GE	M1000800300GPE
M1000800400GE	GL66 mild steel, hinged cover	1000	800	400	2.0	1.5	2xB	100	280	M1000P800GE	M1000800400GPE



## MOUNTING PLATE SUITABLE FOR ONE DOOR SOLUTIONS



Galvanized steel full-size panel

Item number	Description	Thickness [mm]	A [mm]	B [mm]
M300P300GE	MPL for GL66 HC size 300x300mm	2	255	255
M400P300GE	MPL for GL66 HC size 400x300mm	2	355	255
M400P400GE	MPL for GL66 HC size 400x400mm	2	355	355
M500P400GE	MPL for GL66 HC size 500x400mm	2	455	355
M500P500GE	MPL for GL66 HC size 500x500mm	2	455	455
M600P400GE	MPL for GL66 HC size 600x400mm	2.5	555	355
M600P600GE	MPL for GL66 HC size 600x600mm	2.5	555	555
M700P500GE	MPL for GL66 HC size 700x500mm	2.5	655	455
M800P400GE	MPL for GL66 HC size 800x400mm	2.5	755	355
M800P600GE	MPL for GL66 HC size 800x600mm	2.5	755	555
M800P800GE	MPL for GL66 HC size 800x800mm	2.5	755	755
M1000P600GE	MPL for GL66 HC size 1000x600mm	2.5	955	555
M1000P800GE	MPL for GL66 HC size 1000x800mm	2.5	955	755

# SOLUTIONS FOR AUTOMATION & CONTROL DEVICES: OVERLAPPING DOORS WITH THREE-POINT LOCKING SYSTEM



## INDUSTRY STANDARDS

Solid 2-door models.  
Mounting brackets required to meet  
UL/CSA external mounting requirements.

UL 508A listed; Type 12; File No. E61997  
cUL Listed per CSA C22. 2 No. 94; Type 12; File No. E61997

NEMA/EEMAC Type 12  
CSA, File No. 42186: Type 12  
IEC/EN62262 IK9  
IEC 60529, IP55  
IEC 62208

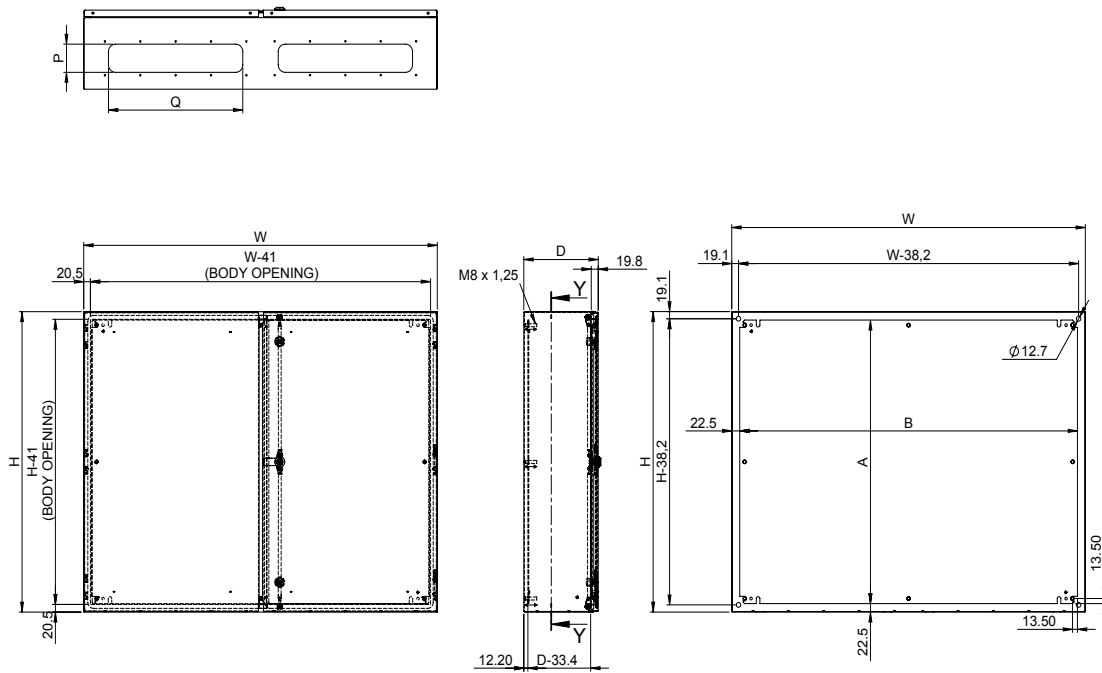
## SPECIFICATIONS

- Hinged cover type is designed for automation and control devices
- Mild steel solution with doors thickness 1,8mm and body thickness 1,5 or 1,8 mm
- Seamless, foam-in-place gasket
- Three-point locking system
- Quarter-turn latch with 3 mm double-bit insert
- Finish RAL 7035 textured light-gray polyester powder paint
- Grounding studs system
- Solution with gland plate



## STANDARD ITEMS

Item number	Description	H [mm]	W [mm]	D [mm]	Door thickness [mm]	Body thickness [mm]	Type	Gland plate			Conductive mounting panel	Solution with mounting panel integrated
								P	Q	Item number	Item number	
M8001000210GE	GL66 MS HC 800H1000W210D	800	1000	210	1.8	1.5	C	100	380	M1000P800GE	M8001000210GPE	
M8001000300GE	GL66 MS HC 800H1000W300D	800	1000	300	1.8	1.5	C	100	380	M1000P800GE	M8001000300GPE	
M10001000300GE	GL66 MS HC 1000H1000W300D	1000	1000	300	1.8	1.8	C	100	380	M1000P1000GE	M10001000300GPE	
M12001000300GE	GL66 MS HC 1200H1000W300D	1200	1000	300	1.8	1.8	C	100	380	M1200P1000GE	M12001000300GPE	
M12001000400GE	GL66 MS HC 1200H1000W400D	1200	1000	400	1.8	1.8	C	100	380	M1200P1000GE	M12001000400GPE	
M12001200400GE	GL66 MS HC 1200H1200W400D	1200	1200	400	1.8	1.8	C	100	380	M1200P1200GE	M12001200400GPE	
M14001000300GE	GL66 MS HC 1400H1000W300D	1400	1000	300	1.8	1.8	C	100	380	M1400P1000GE	M14001000300GPE	
M14001000400GE	GL66 MS HC 1400H1000W400D	1400	1000	400	1.8	1.8	C	100	380	M1400P1000GE	M14001000400GPE	

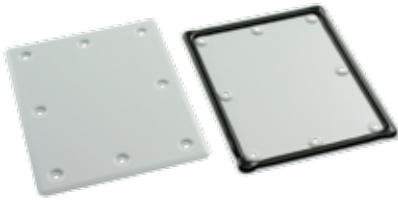


## MOUNTING PLATE SUITABLE FOR DOUBLE DOOR SOLUTIONS



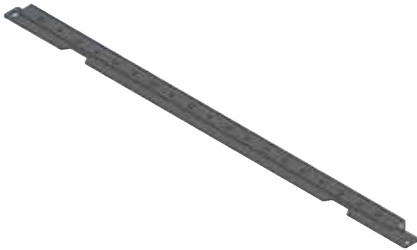
Galvanized steel full-size panel

Item number	Description	Thickness [mm]	A [mm]	B [mm]
M1400P1000GE	MPL for GL66 size 1400x1000mm	2.5	1355	1355
M1200P1200GE	MPL for GL66 size 1200x1200mm	2.5	1155	1155
M1200P1000GE	MPL for GL66 size 1200x1000mm	2.5	1155	955
M1000P800GE	MPL for GL66 size 1000x800mm	2.5	955	755
M1000P1000GE	MPL for GL66 size 1000x1000mm	2.5	955	955

**ACCESSORIES - SUITABLE FOR ALL TYPES**
**GLAND PLATE**


Item number	Description	H [mm]	W [mm]	Type
GGP15260E	Gland plate for wallmount GL66 HC	175	260	A
GGP15360E	Gland plate for wallmount GL66 HC	175	360	B
GGP150460E	Gland plate for wallmount GL66 HC	175	460	C

Provide a removable cable egress and entry plate while maintaining IP/UL/CSA integrity of the enclosure. RAL 7035 textured light-gray polyester powder paint finish inside and outside. Foam-in-place gasket, fasteners and instruction provided. Maintains IP66/UL/CSA Type 4 and 12 when properly installed.

**DOOR BARS**


Item number	Description	H [mm]	L [mm]
ADB300E	Door bar for GL66 HC	300	238
ADB400E	Door bar for GL66 HC	400	338
ADB500E	Door bar for GL66 HC	500	438
ADB600E	Door bar for GL66 HC	600	538
ADB700E	Door bar for GL66 HC	700	638
ADB800E	Door bar for GL66 HC	800	738
ADB1000E	Door bar for GL66 HC	1000	938

Two bars in one set

**DOOR STOP KIT**


Item number	Description
ADSTOPK	Door stop kit for GL66 HC mild steel

Enclosures must have a "W" dimension of 400 mm or more. Door stop kit can be mounted at the top or bottom of the door opening after drilling two small holes in the body of the enclosure and two small holes in the door. The angle of the door is easily adjusted by means of a wingnut, and the stop arm slides neatly out of the way when the door is closed. Maintains IP66/UL/CSA Type 4 and 12 when properly installed.

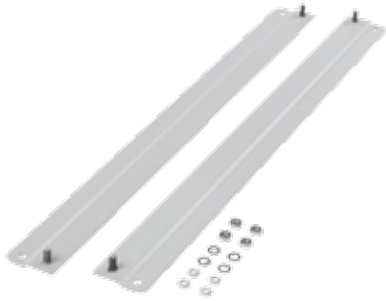
**DOUBLE-BIT KEY**


Item number	Description
GKEY3MMDB	Set of two 3-mm black, non-metallic

Black non-metallic 3-mm double-bit key

## ACCESSORIES - SUITABLE FOR ALL TYPES

### FULL-WIDTH TOP AND BOTTOM MOUNTING-BRACKET KIT WITH STUDS



Item number	Description	Fits B [mm]	L [mm]	S [mm]
GTBMTBK300	Set of 2 mounting brackets for GL66 HC length 296 mm	300	296	262
GTBMTBK400	Set of 2 mounting brackets for GL66 HC length 396 mm	400	396	362
GTBMTBK500	Set of 2 mounting brackets for GL66 HC length 496 mm	500	496	462
GTBMTBK600	Set of 2 mounting brackets for GL66 HC length 596 mm	600	596	562
GTBMTBK800	Set of 2 mounting brackets for GL66 HC length 796 mm	800	796	762

Used to mount enclosure to a wall or another enclosure. Includes two 2,5 mm thick steel external mounting brackets and mounting hardware. Finished with RAL 7035 textured light- gray polyester powder paint.

### MOUNTING-BRACKET



Item number	Description
CMFK	Set of 4 steel mounting brackets for GL66 HC
CMTGFT	Set of 4 composite mounting brackets for GL66 HC

Mounting-bracket kits are field-installable. Set of four (4) brackets. Mounting brackets are required to maintain UL/CSA external mounting requirement.

### DATA POCKET



Item number	Description	Fits enclosure
ADP1	Data pocket 152 x 152	when A is less than or equal to 610 and B is less than or equal to 610
ADP2	Data pocket 305 x 305	when A is less than or equal to 762 and B is less than or equal to 508

Data Pockets provide convenient storage for wiring diagrams, operation manuals and other documentation inside an enclosure. Constructed of high-impact thermoplastic, pockets are dark gray and have cutout areas for easy access and visibility to contents.



[WWW.PENTAIRPROTECT.COM](http://WWW.PENTAIRPROTECT.COM)

**EUROPE**

**Straubenhardt, Germany**

Tel: +49.7082.794.0

**Betschdorf, France**

Tel: +33.3.88.90.64.90

**Warsaw, Poland**

Tel: +48.22.209.98.37

**Dzierzoniow, Poland**

Tel: +48.74.64.63.900

**Hemel Hempstead, Great Britain**

Tel: +44.1442.24.04.71

**Lainate, Italy**

Tel: +39.02.932.714.1

**Aachen, Germany**

Tel: +49.2405.40996-0

**NORTH AMERICA**

**Minneapolis, MN**

Tel: +1.763.421.2240

**Mexico, D.F.**

Tel: +52.55.5280.1449

**Toronto, Canada**

Tel: +1.416.289.2770

**MIDDLE EAST & INDIA**

**Dubai, United Arab Emirates**

Tel: +971.4.37.81.700

**Bangalore, India**

Tel: +91.80.6715.2001

**Istanbul, Turkey**

Tel: +90.216.250.7374

**ASIA**

**Shanghai, P.R. China**

Tel: +86.21.2412.1688

**Singapore**

Tel: +65.6768.5800

**Shin-Yokohama, Japan**

Tel: +81.45.476.0271

**Seoul, Korea**

Tel: +82.2.2129.7755

Pentair, Hoffman and Design with Confidence are owned by Pentair or its global affiliates. All other trademarks are the property of their respective owners.